

Triflex TSS Profile



Product information

Applications

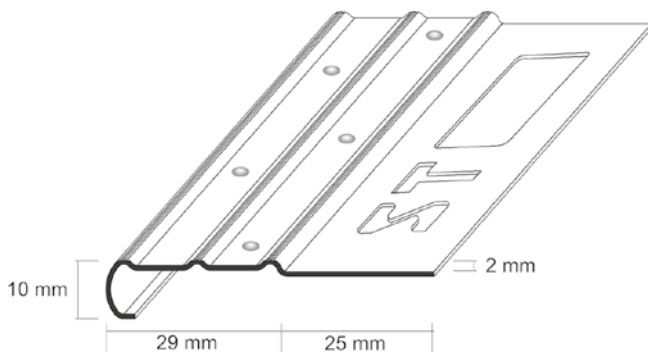
The Triflex TSS Profile can be used with the Triflex BTS-P, Triflex BFS and Triflex TSS systems.

Properties

The Triflex TSS Profile is a stainless steel coated profile which protects the edges of stairs and enhances slip resistance.

Pack size

For dimensions see sketch:



Profile length: 300 cm

Colours

Natural stainless steel

Conditions for use

Cut the Triflex TSS Profile to length. Degrease the underside of each end of the profile using Triflex Cleaner, and roughen or prime with Triflex Metal Primer. Using Triflex Cryl Paste fix the profile to the substrate and the Triflex ProDetail detail waterproofing. After the paste has cured, apply Triflex ProFloor from the edge on the profile to the upstand.

Further build-up is as described in the relevant Triflex systems.



Information on slip resistance

Slip resistance evaluation group in accordance with DIN 51130 working area R 11
Slip resistance evaluation group in accordance with DIN 51097 barefoot area "C"

General notes

We guarantee the consistently high quality of our products. Non-system substances must not be added to Triflex systems.

The advice we give in relation to the application of our products is based on extensive development and many years of experience, and is correct to the best of our knowledge. Given the multitude of on-site requirements, under the most varied of conditions, the user is required to test the product's suitability for the respective purpose. Technical information is subject to changes without notice in the interests of technical advancement or enhancement of our products.