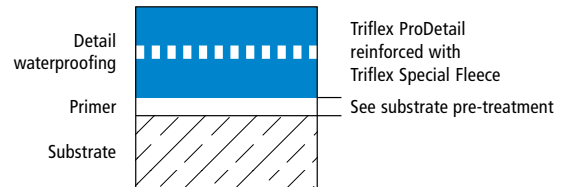




## System drawings

### Wall junction

#### System design – Detail A



Drawing no.: ProDetail-3201

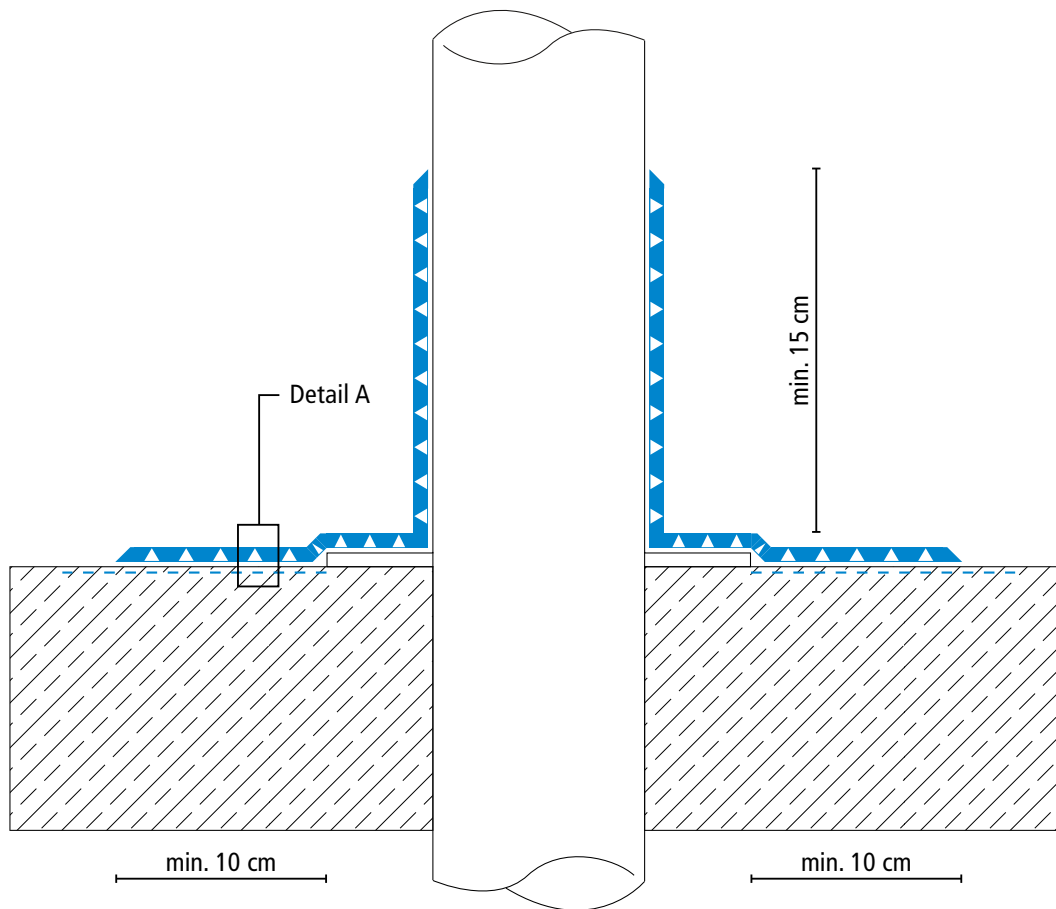
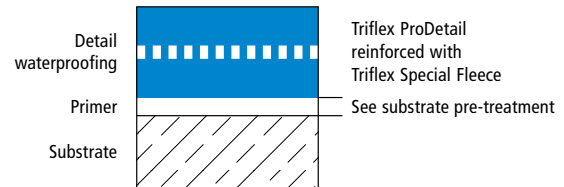
Height differences between fleece overlaps are exaggerated



## System drawings

### Penetration

#### System design – Detail A



Drawing no.: ProDetail-3202

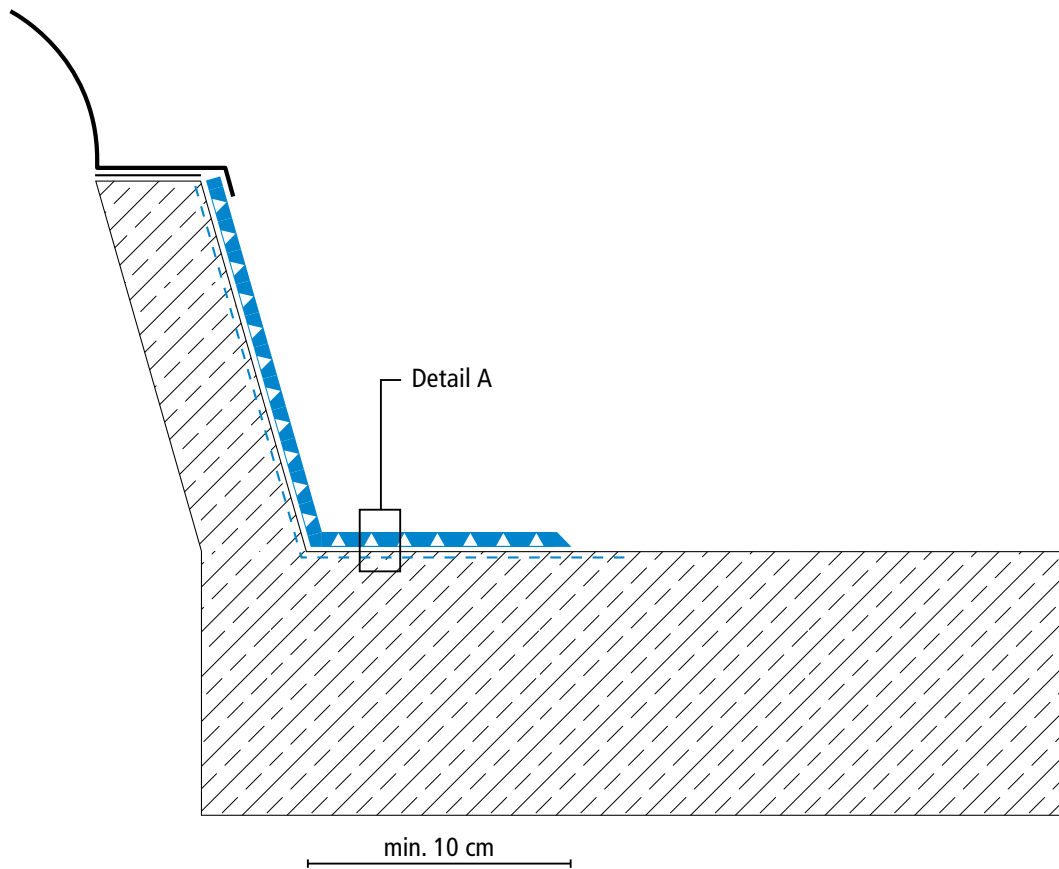
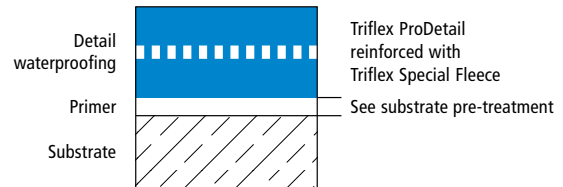
Height differences between fleece overlaps are exaggerated



## System drawings

### Rooflight

#### System design – Detail A



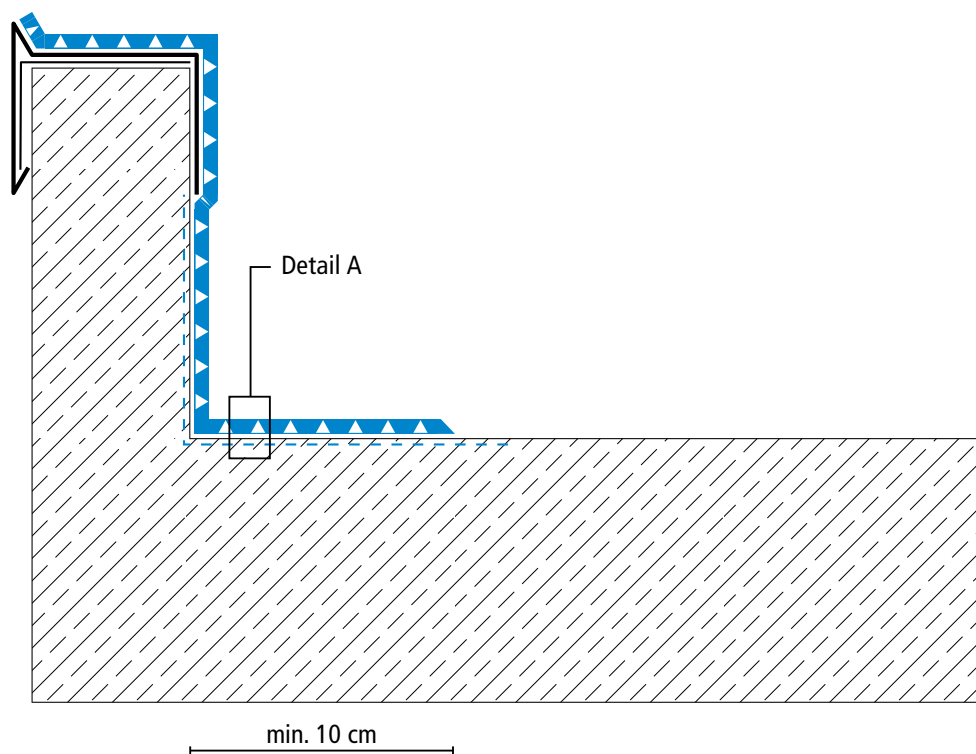
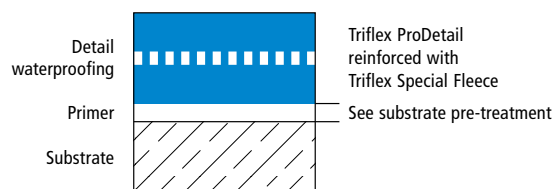
Drawing no.: ProDetail-3203  
Height differences between fleece overlaps are exaggerated



## System drawings

### Parapet edge finishing

#### System design – Detail A

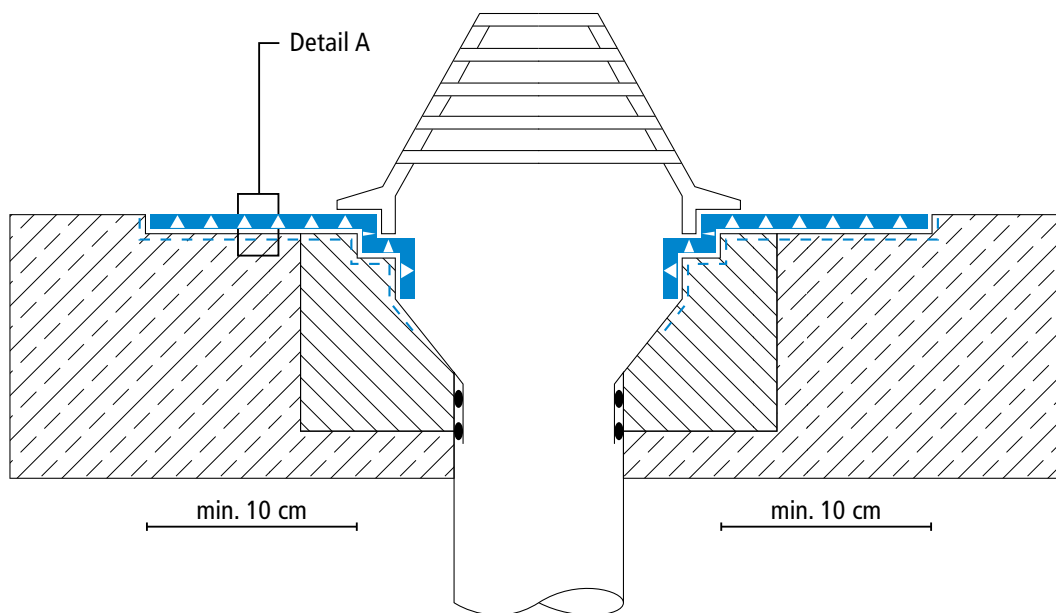
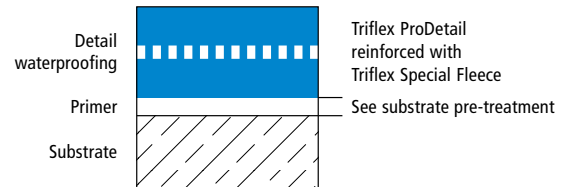




## System drawings

### Gully

#### System design – Detail A



Drawing no.: ProDetail-3205

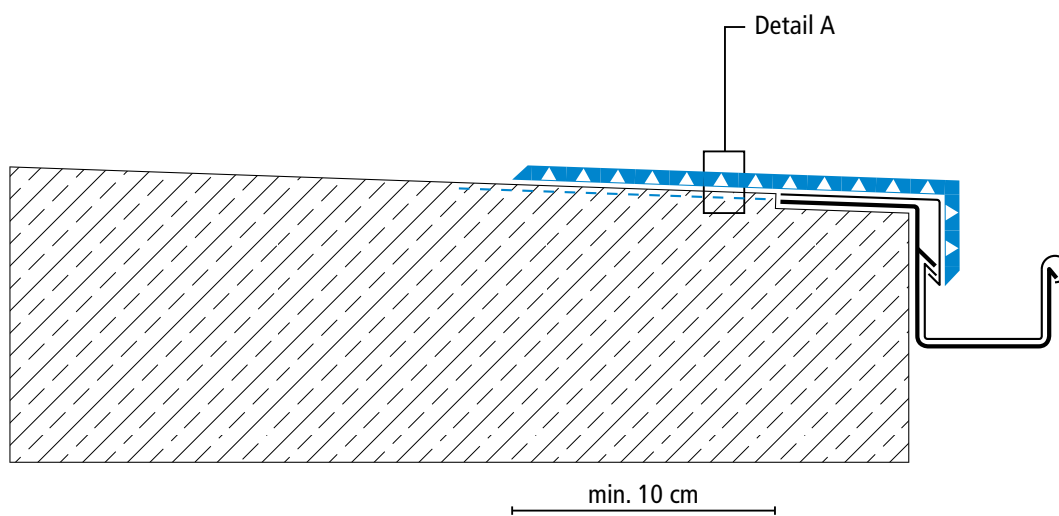
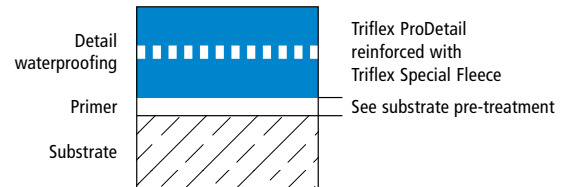
Height differences between fleece overlaps are exaggerated



## System drawings

### Edge finishing with bracket-mounted gutter

System design – Detail A



Drawing no.: ProDetail-3206

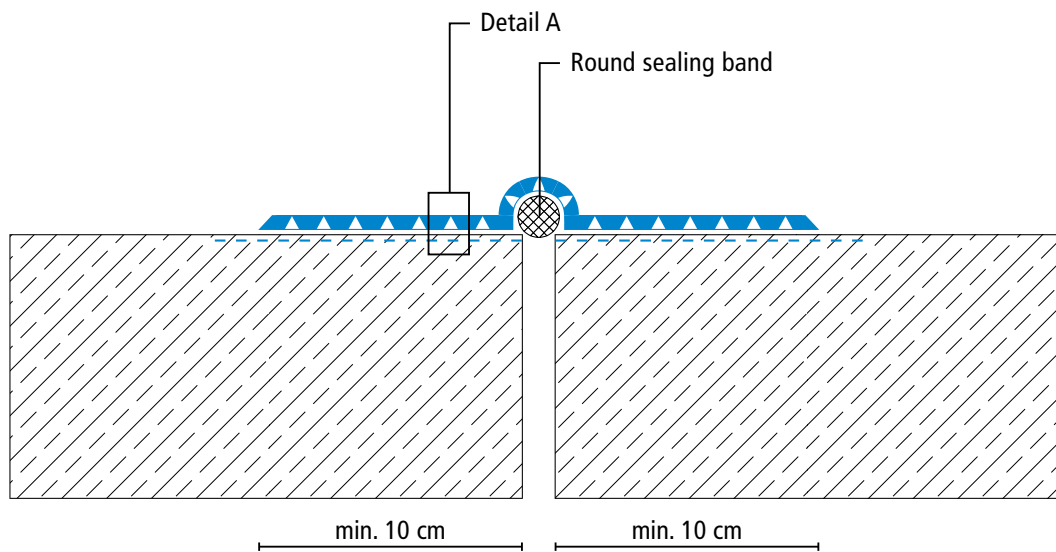
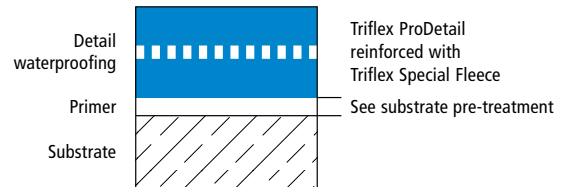
Height differences between fleece overlaps are exaggerated



## System drawings

### Settlement joint

#### System design – Detail A



Drawing no.: ProDetail-3207

Height differences between fleece overlaps are exaggerated