

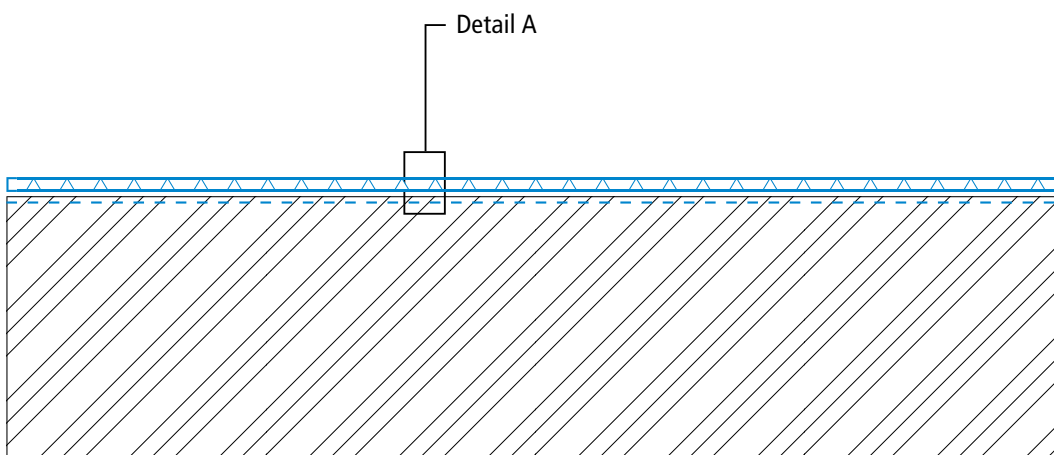
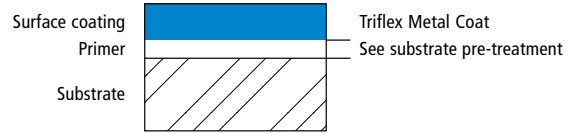
# Roof Surface Coating System Triflex Metal Coat



## System drawings

Surface

### System design – Detail A



Drawing no.: Metal Coat-3601  
Height differences between fleece overlaps are exaggerated

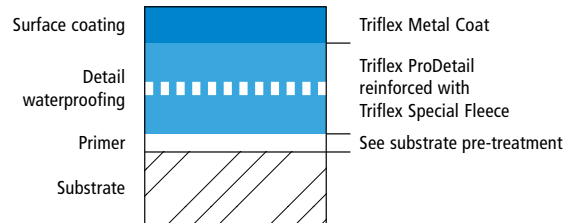
# Roof Surface Coating System Triflex Metal Coat



## System drawings

### Wall junction

#### System design – Detail B



Drawing no.: Metal Coat-3602

Height differences between fleece overlaps are exaggerated

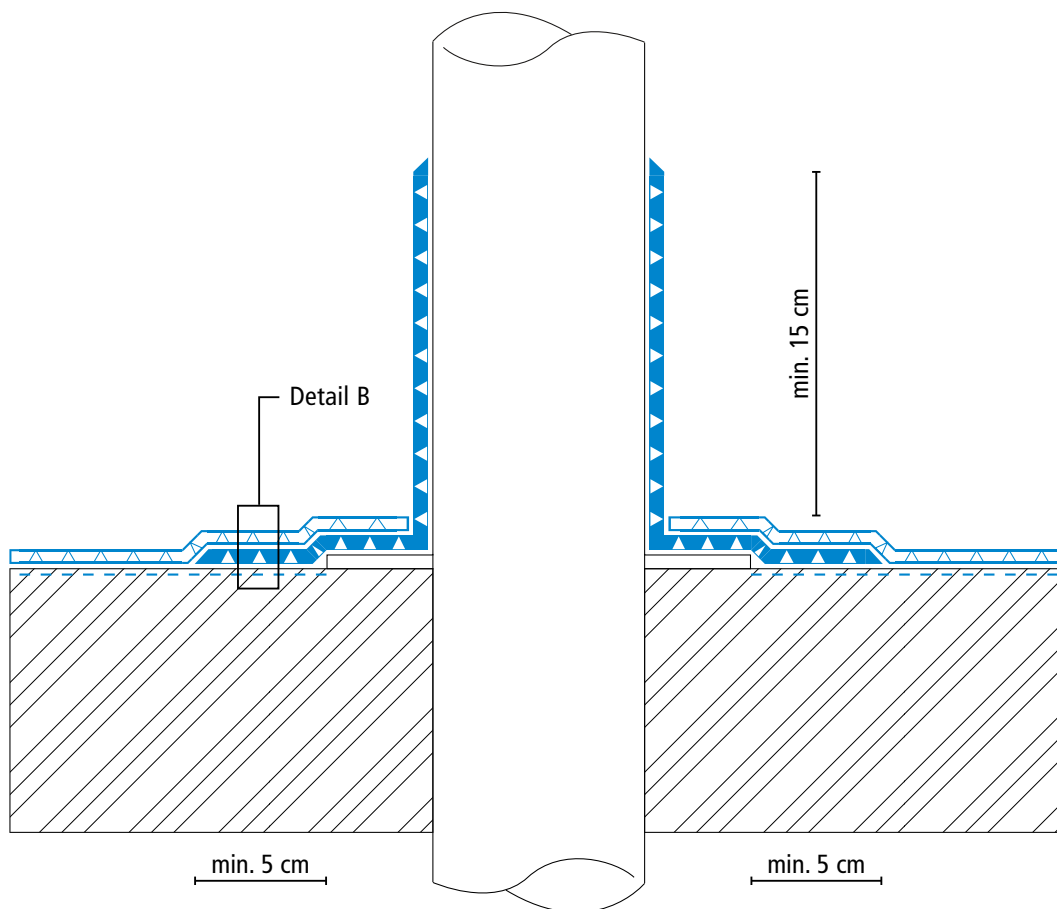
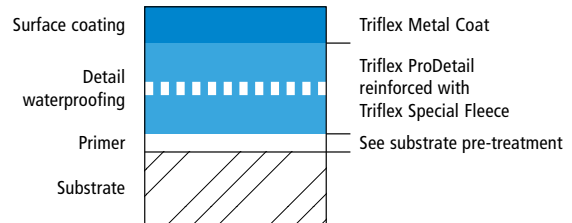
# Roof Surface Coating System Triflex Metal Coat



## System drawings

### Penetration

#### System design – Detail B



Drawing no.: Metal Coat-3603  
Height differences between fleece overlaps are exaggerated

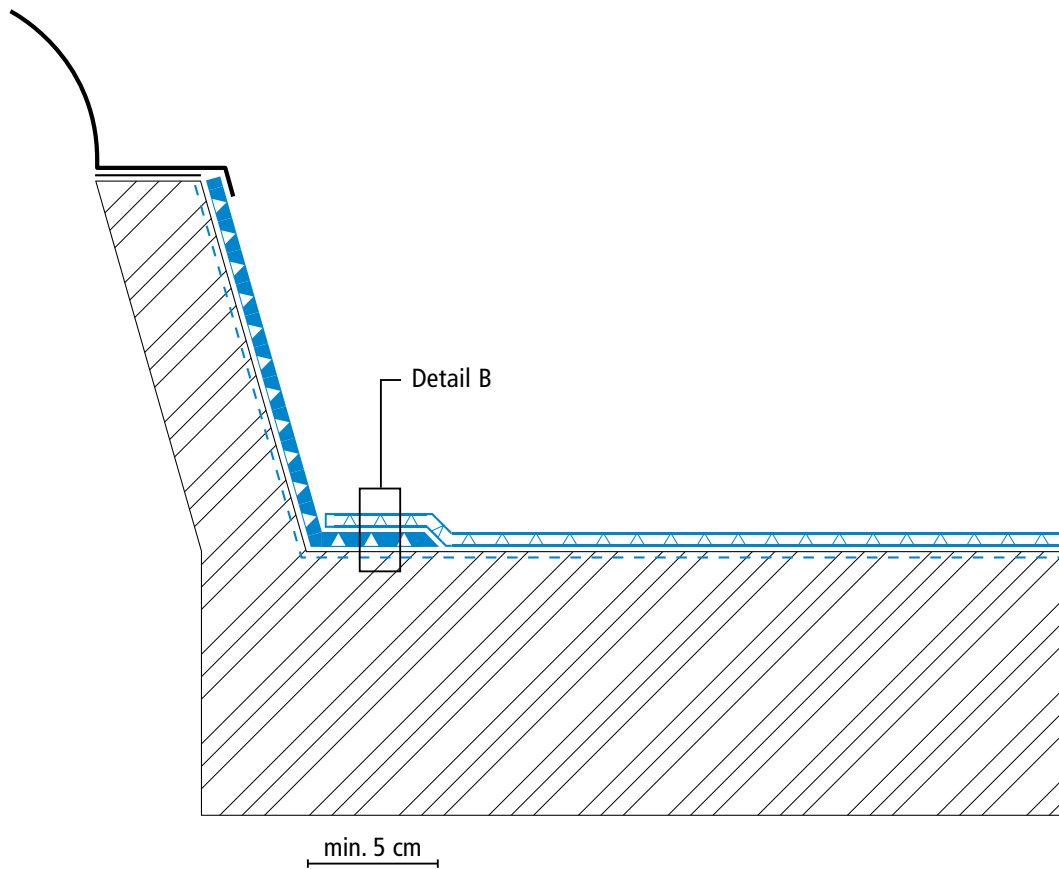
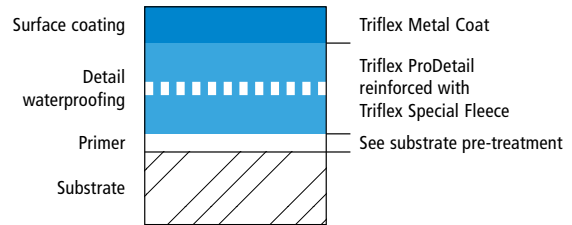
# Roof Surface Coating System Triflex Metal Coat



## System drawings

### Rooflight

#### System design – Detail B



Drawing no.: Metal Coat-3604  
Height differences between fleece overlaps are exaggerated

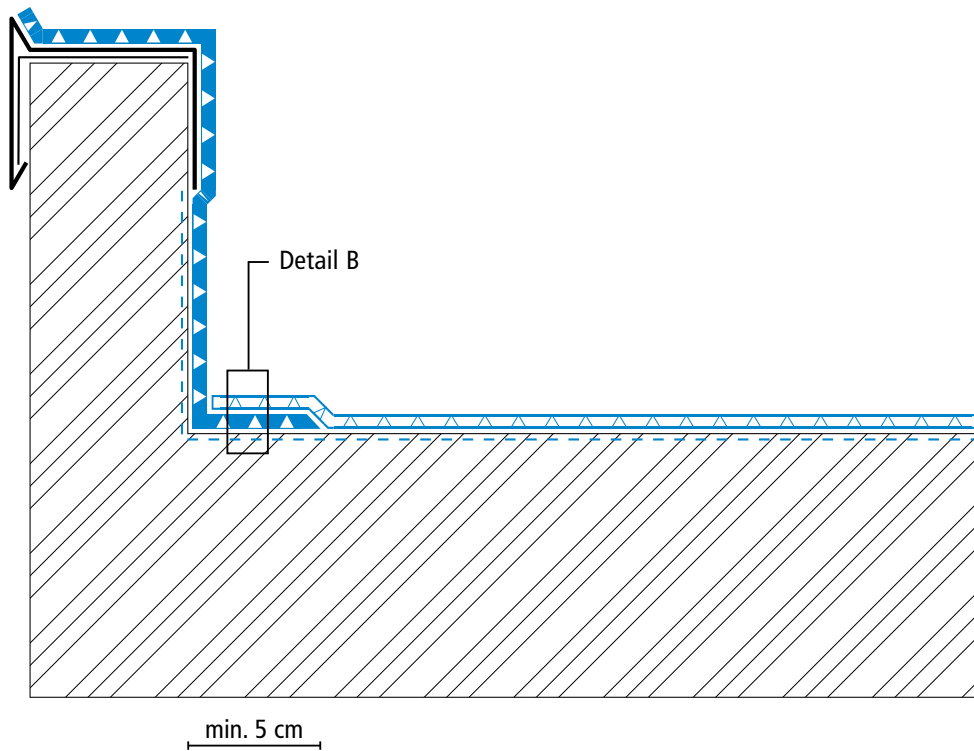
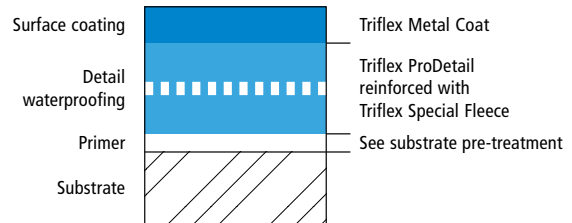
# Roof Surface Coating System Triflex Metal Coat



## System drawings

### Parapet edge finishing

#### System design – Detail B



Drawing no.: Metal Coat-3605  
Height differences between fleece overlaps are exaggerated

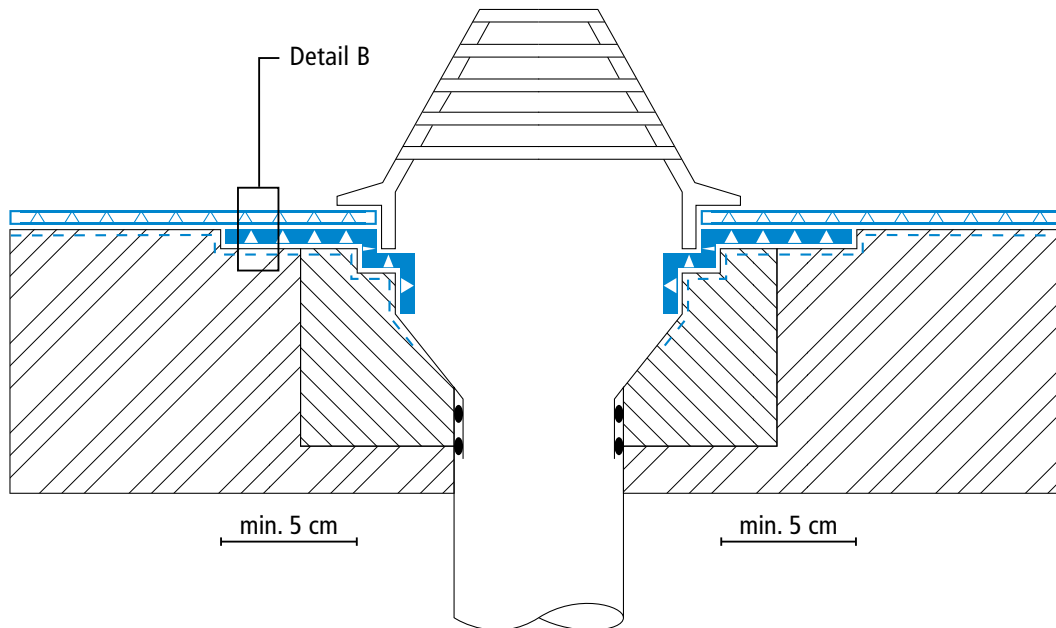
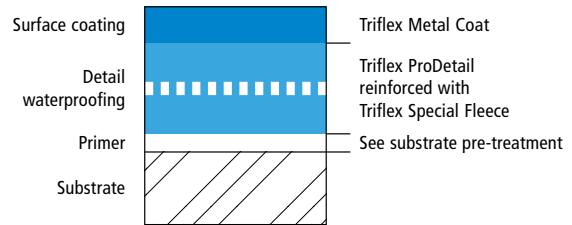
# Roof Surface Coating System Triflex Metal Coat



## System drawings

### Gully

#### System design – Detail B



Drawing no.: Metal Coat-3606  
Height differences between fleece overlaps are exaggerated

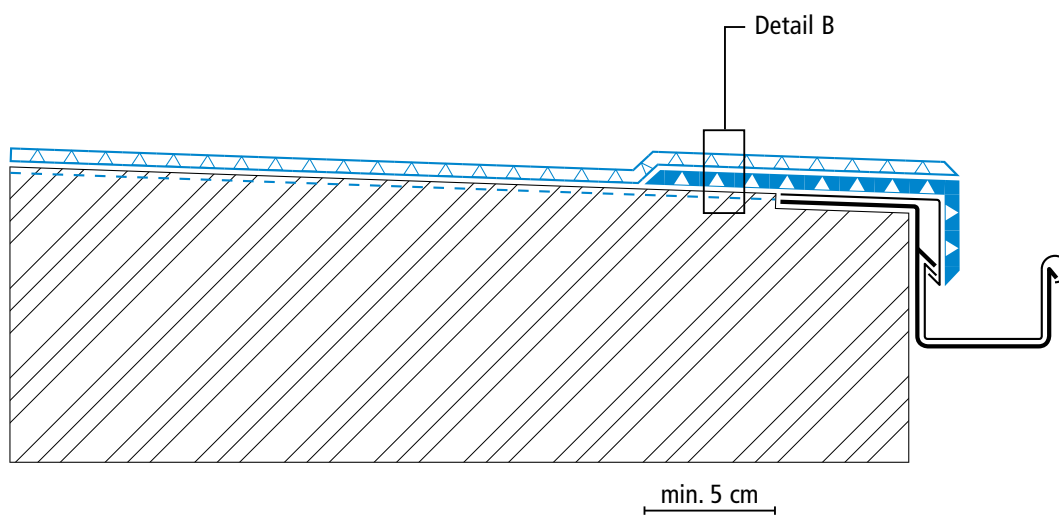
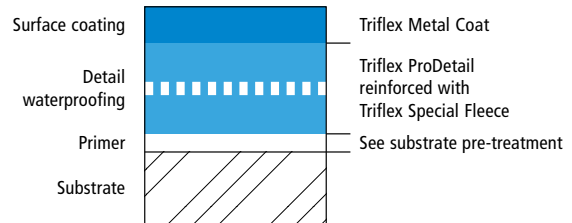


# Roof Surface Coating System Triflex Metal Coat

## System drawings

Edge finishing with bracket-mounted gutter

System design – Detail B



Drawing no.: Metal Coat-3607  
Height differences between fleece overlaps are exaggerated

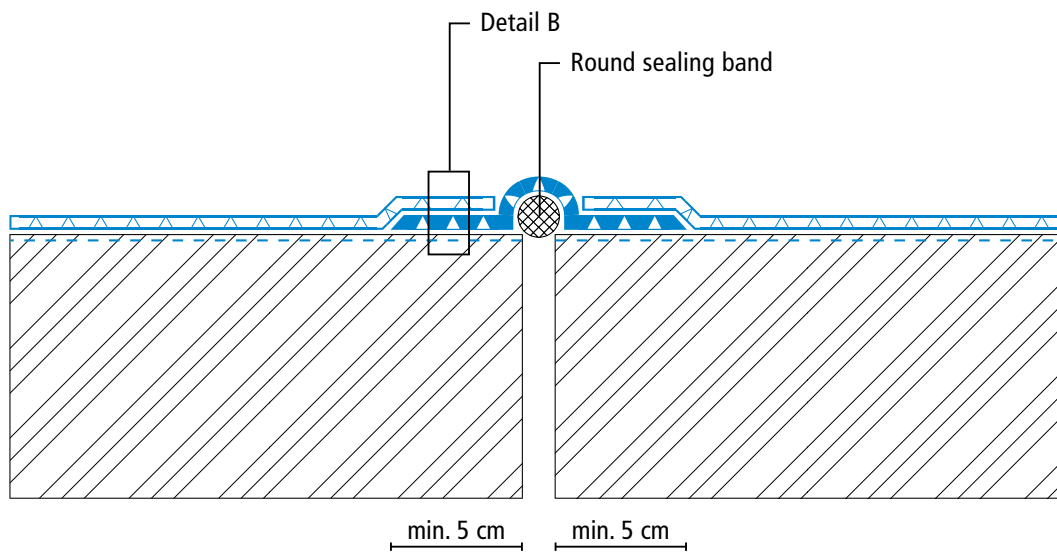
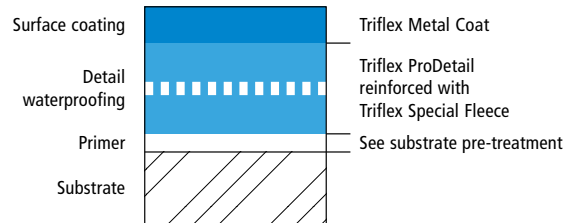
# Roof Surface Coating System Triflex Metal Coat



## System drawings

### Settlement joint

#### System design – Detail B



Drawing no.: Metal Coat-3608  
Height differences between fleece overlaps are exaggerated