

# Triflex

Delivering solutions together.

From the specialist in cold plastic markings

## Marking systems.



ROADS | PARKING AREAS | DESIGN SURFACES

Triflex solutions for roads, parking areas and design surfaces

## Multiple challenges. One solution.

Every day great demands are placed on motorways, roads, cycle paths, halls and multi-storey car parks as a result of weather conditions and mechanical loads. At the same time, increasing traffic volumes call for a maximum level of safety, while placing extremely high demands on the marking systems. Not only must these systems be durable and quick to apply, they must also be able to act as a guide 24 hours a day and in all weather conditions. As the market leader for cold plastics in Germany, Triflex offers marking systems to handle even the most demanding challenges with ease. High-quality products, more than 40 years of experience and know-how paired with a comprehensive and expert service make Triflex the first choice when it comes to premium marking systems.



Triflex marking system strengths

## Safety first.

One Triflex cold plastic solution – four different application methods.

**Highly economic and product can be chosen with confidence.**

21 % less material consumption at the construction site.

**High yield and efficiency.**

Can withstand high mechanical loads, weather-proof and alkali-resistant.

**High level of road safety and orientation guide ensure navigation even under extreme conditions.**

Highly reactive and fast-curing marking products.

**Ready for vehicle traffic without delay, short closure periods, resulting in reduced risk of congestion.**

# Thoroughly impressive.



## **Unbeatably versatile.**

New markings or refurbishment, closed-finish line markings, regular or irregular agglomerate markings, profiled markings or wet substrates: with Triflex you have the ideal, customised and long-lasting solution to meet every challenge.



## **Extremely durable.**

Triflex solutions are tested and approved in the highest traffic classes. They have performed successfully in extensive tests, e.g. the B 4 road testing ground in the Harz region, and in long-term practical use.



## **Extremely economical.**

Triflex offers you four different methods of application with just a single cold plastic product. This reduces storage and transportation costs, and combined with the short drying times and quick application, also ensures optimal efficiency.

Can even be used on damp substrates.

**Reliable planning and application regardless of the weather conditions and time of year.**

Wide variety of colours for different substrates.

**Attractive design options, can be easily refreshed.**

More binders, fewer fillers.

**Reduced wear to the marking machine, harmonious spray pattern.**

Quick delivery to the construction site.

**Reduced storage space, significant time savings.**

Checked.  
Certified.  
Field-tested.  
Durable.



TRIFLEX  
QUALITY

## Exceptional safety. Highly certified.

With Triflex systems you are in safe hands on roads and cycle paths, in airports and halls, and even on damp substrates. At Triflex, we regard continuous internal and external quality controls in production and extensive field tests prior to market launch as essential.

- Extensively tested and certified by the German Federal Highway Research Institute (BASt).
- Practical assessments by the German Society for Road Marking Research (DSGS).
- Continuously enhanced and optimised products.
- Highest possible manufacturing certification as per ISO 9001.



## Industrial halls, multi-storey car parks and parking areas



**Reliable guidance systems**  
thanks to dirt-resistant paint systems.



**Clear structures**  
with optimal opacity.



**Luminescent safety guidance systems**  
for increased safety and guidance.



**Fast application**  
and short closure periods.

## Motorways, A-roads and cycle paths



**Thick / thin-layer marking**  
for lasting safety.



**Easy to refresh**  
using cold spray plastic.



**Cycle path marking**  
non-slip with clear colour differentiation.



**Simple application**  
and no machinery required.

## Colour fields and design surfaces



**Great design freedom**  
with more than 100 colours.



**Effective non-slip finish**  
thanks to coarse filling materials.

Roads and cycle paths

# Exceptionally versatile.

## Strengths

- + Approved by the German Federal Highway Research Institute (BASt) and certified in the highest traffic classes
- + Guidance both day and night
- + High yield thanks to low density
- + Suitable for Type I and Type II markings
- + Delivery within 24 hours to the construction site
- + Easy to apply and can be recoated

One cold plastic product – four different application methods without alterations in the viscosity. This is not just a very economical solution, but also a very reliable one, as our systems are tested by the German Federal Highway Research Institute (BASt) and guarantee maximum road safety.



### Application examples:

- 1 Bypass with cycle paths
- 2 Federal highway
- 3 Bridge
- 4 Motorway

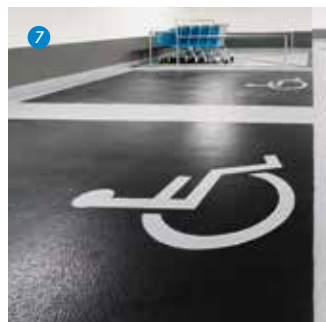
Halls, multi-storey car parks and parking areas

# Clearly structured. Clearly superior.

## Strengths

- + Withstands high mechanical loads
- + Very long service life
- + Resistant to contamination
- + Broad spectrum of paints

Our systems are characterised by their high mechanical strength, long service life and resistance to contamination. Production as per the standards defined in DIN ISO 9001 guarantees consistent levels of quality. More than 100 colours are available for designs in halls, multi-storey car parks and parking areas, where they provide optimal guidance and safety. You can also use the Triflex markings to give set-down areas, walkways and vehicle routes a clear structure.



### Application examples:

- 1 Ramp
- 2 Top deck
- 3 Underground car park
- 4 Logistics centre
- 5 Shopping centre parking area
- 6 Industrial hall
- 7 Shopping centre parking area

Colour fields / design surfaces and airports

# Large areas. Limitless designing.

When it comes to freedom of design, with us as your partner there are no limits to what you can achieve. In addition to the large selection of colours, the Triflex marking systems are also suitable for a wide range of different application methods. Thanks to the durability and high strength of the products, the design and colour intensity are maintained in the long term. At airports, Triflex systems provide impressive UV-resistance, high chemical resistance and good adhesion to all concrete and asphalt substrates. Thanks to the short drying times, work can be carried out quickly without disrupting air traffic.



## Strengths

- + Wide range of colours and great design freedom
- + High wear resistance
- + Highly elastic and non-slip
- + Can be used over large areas
- + High chemical resistance



### Application examples:

- 1 Museum entrance area
- 2 Airport
- 3 Eye-catching area and zebra crossing
- 4 Nursery play area



Reliable and eye-catching

# Luminescent marking systems.



## Strengths

- + Increased safety for all building users
- + High visibility in darkness
- + Withstands mechanical loads and abrasion-resistant
- + Approved to DIN 67510 Part 1

## Systems

- + Preco Line 300 NightLine
- + Preco Line EP 2K NightLine
- + Preco Cryl Cold Plastic 2K NightLine

Resistant, durable and versatile

# Triflex Tactile Marking.



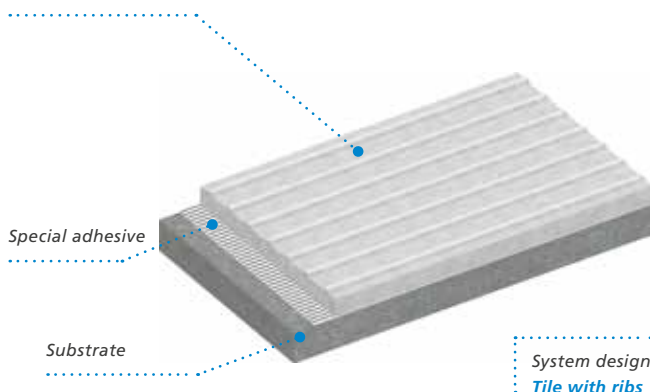
## Strengths

- + Short closure times and low levels of traffic disruption
- + No naked flame required
- + Easy cutting
- + Perfect for retrofitting

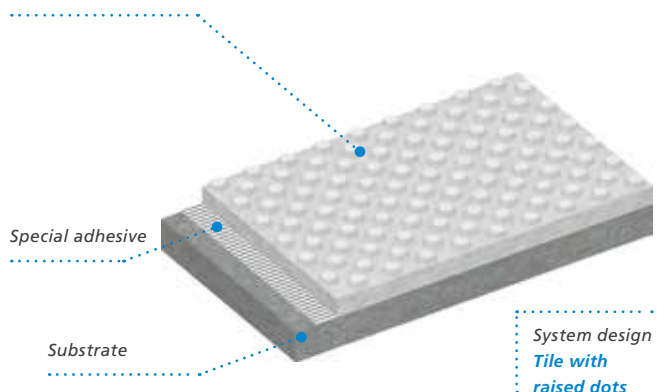
## Systems

- + Triflex Tactile Marking

Triflex Tactile Marking plate



Triflex Tactile Marking plate



# 210%

Triflex Preco Ceryl Spray-Applied Resin 98:2 provides 21 % more yield than other products, making it an efficient and economical solution for Type I and Type II line markings. We use more binders and fewer fillers here. For you, this means that the feed pump of your marking machine benefits from reduced wear, and you achieve a better spray pattern.

The drop-on material also embeds itself more effectively. The increased application speeds mean that you can work even more quickly.

Thin-layer marking system

## Extremely impressive. Extremely quick.

Triflex thin-layer marking systems stand out thanks to their quick drying time of under ten minutes. Regardless of the traffic volumes, the sprayable materials are an excellent solution: both on roads with high or medium traffic volumes and on streets in quiet residential areas. Our thin-layer marking systems are particularly effective for refreshing agglomerates or applying traffic-opening markings, for example.



### Strengths

- + Short drying times
- + Undercoating, e.g. for agglomerates
- + Perfect for refreshing
- + All products can be applied using the airless spray method



### Systems

- + Preco Line 300
- + Preco Line EP 2K
- + Preco Cryl Spray-Applied Resin 98:2
- + Triflex EPS
- + Triflex ParkLine

# 1 PRODUCT.

# 4 APPLICATION METHODS.



With our systems, you will always get the best results. Whether a closed-finish line marking, regular agglomerate marking, irregular agglomerate marking or profiled marking, all of these application methods can be performed with just a single cold plastic product, and without alterations in the viscosity. For you, this means lower storage and logistics costs as well as increased flexibility and efficiency.



*Smooth finish*



*Irregular agglomerate*



*Regular agglomerate*



*Profiles*

Thick-layer marking systems

## Outstandingly robust. Outstandingly flexible.

Triflex thick-layer marking systems ensure lasting safety and guidance on roads, and are robust and extremely durable. Depending on your requirements, the systems can be applied using a smoothing trowel, a hand-operated marking machine or a self-propelled marking machine. This makes us the only provider on the market to offer four different methods of application with just a single thick-layer cold plastic product, without alterations in the viscosity. This saves time, reduces storage and transportation costs, and allows for maximum flexibility.



### Strengths

- + Consistently high level of safety
- + Tried and tested even under the most difficult conditions
- + Homogeneous application even after extended periods of disuse
- + Wide range of application options



### Systems

- + Preco Cryl Cold Plastic 2K
- + Preco Cryl Cold Plastic RP 2K
- + Preco Cryl Profile Plastic 2K
- + Preco Cryl Roller-Applied Plastic 2K



### Triflex project expertise

As a manufacturer and direct distributor in the field of marking materials, we boast more than 40 years of project experience and can offer customised solutions to meet your specific requirements. We always guarantee ideal cooperation between contractors, public clients, our staff and systems. The channels are short and direct, and personal contact is guaranteed without complications. Welcome to the Triflex family.



### Triflex application competence

Our knowledge finds its way directly to you, without intermediate trade. We provide our Triflex contractors with training and advice before, during and after application. This guarantees the best possible application results, the highest levels of quality and long-term satisfaction.

MORE THAN  
JUST A  
MARKING  
SYSTEM.



### Triflex quality

- Highest possible manufacturing certification as per ISO 9001.
- Extensively tested and certified by the German Federal Highway Research Institute (BASt).
- Practical assessments by the German Society for Road Marking Research (DSGS).
- Continuously enhanced and optimised products.



### Triflex service

This is where we as a manufacturer and direct distributor are closer to the action: we support and supervise your construction project with our technical advisers and applications engineers from start to finish. We offer advice from the word go, help you with offers, deliver to the construction site and assist you with execution.

Triflex marking systems

# Reference projects.



**S3, Ostromice (PL)**

- Project: Trunk road
- Project size: 6.1 km
- System: Triflex Precryo Cryl Cold Plastic 2K



**K40, Halle / Getelo (DE)**

- Project: Cycle lane marking
- Project size: 7.0 km
- Systems: Triflex Precryo Line 300, Triflex Precryo Cryl Cold Plastic 2K



**Women's prison, Berlin (DE)**

- Project: Pavement
- Project size: 1,000 m<sup>2</sup>
- System: Triflex Precryo Cryl Cold Plastic RP 2K



**Underground, Hamburg (DE)**

- Project: Underground tunnel U4
- Project size: 5.6 km
- System: Triflex Precryo Line 300 NightLine



**Railway station, Würzburg (DE)**

- Project: Station forecourt
- Project size: 275 m ribbed marking
- Systems: Triflex Tactile Marking, Triflex Precryo Cryl Cold Plastic 2K, Triflex Precryo Cryl Profile Plastic 2K



**Red Square, Köpenick (DE)**

- Project: Public square
- Project size: 1,022 m<sup>2</sup>
- System: Triflex Precryo Line 300

## Triflex marking systems at a glance.

Requirement	Cold plastics				Cold spray plastics	Tactile markings	Marking paints			
	Precryo Cryl Cold Plastic 2K <sup>(1)</sup>	Precryo Cryl Profile Plastic 2K	Precryo Cryl Cold Plastic RP 2K <sup>(1)</sup>	Precryo Cryl Roller-Applied Plastic 2K	Precryo Cryl Spray-Applied Resin 98:2 <sup>(1)</sup>	Triflex Tactile Marking	Precryo Line 300	Precryo Line EP 2K	Triflex EPS	Triflex ParkLine
Thick-layer marking	•	•	•	•		•				
Thin-layer marking					•					
Line marking	•		•		•		•	•	•	•
Agglomerate marking	•		•				•	•	•	•
Profiled marking		•								
Hall and multi-storey car park marking	•									
Surface marking and design			• <sup>(3)</sup>	•			•	•		•
Cycle path marking			• <sup>(3)</sup>	•			•			
Fluorescent safety marking	• <sup>(2)</sup>						•			
Prefabricated marking	•					•	• <sup>(2)</sup>	• <sup>(2)</sup>		
Construction site marking			• <sup>(3)</sup>		•					
Manual application	•		•	•			•	•		•
Hand-operated and self-propelled machines	•	•	•		•		•	•	•	•

<sup>1</sup> Also available as a 3K variant on request.  
<sup>2</sup> NightLine version  
<sup>3</sup> Precryo Cryl High-Friction Plastic RP 2K/coulored

# Triflex

Delivering solutions together.



**International**

Triflex GmbH & Co. KG  
Karlstrasse 59  
32423 Minden | Germany  
Fon +49 571 38780-0  
info@triflex.com  
www.triflex.com